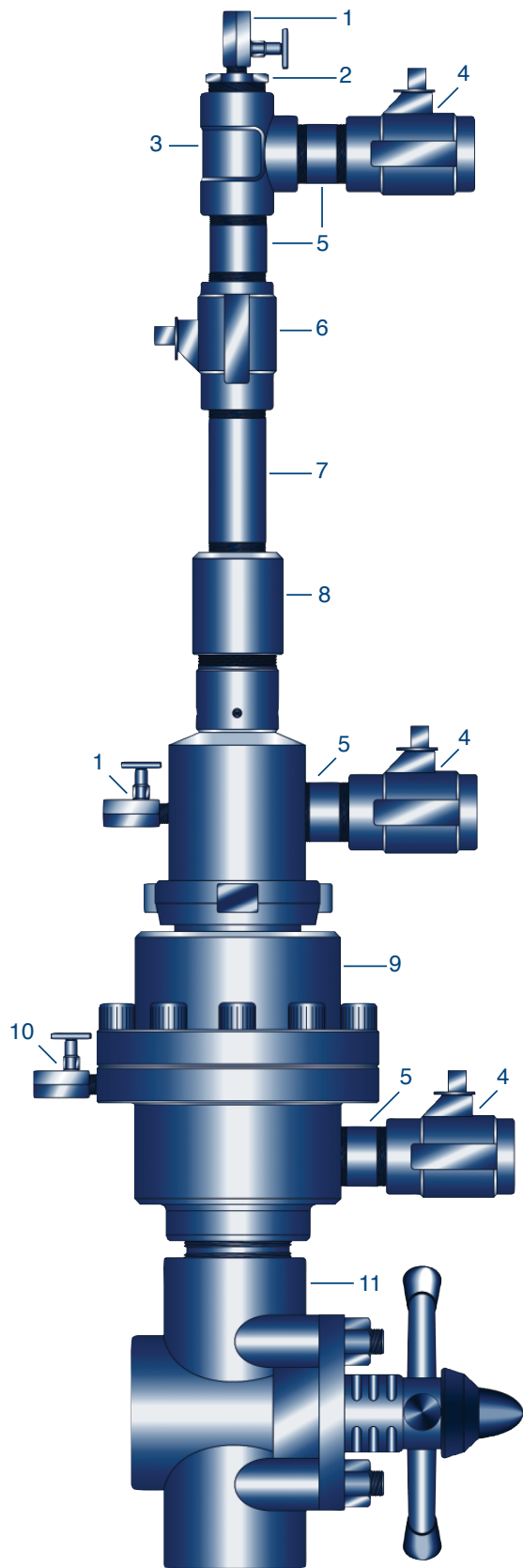


# SINGLE STRING WELLHEADS

Company  
Services  
CT Completions  
CT Surface  
CT Sub-Surface  
CT Service Tools  
Wellheads  
Slickline  
Engineering Data  
Index



## 2590S Union Wellhead

The integral union 2590S wellhead is designed to be run in conjunction with a full opening hydraulic annular control valve. This design allows downhole assemblies larger than the diameter of the coiled tubing to be deployed in the well. The design includes a 2" LP annular flow port, as well as a 0.5" NPT gauge port.

### Features & Benefits

- The utilization of a hydraulic annular control valve allows installation of downhole tools such as packers, centralizers, gauge carriers, etc., and accommodates tools larger than the coiled tubing OD.
- Hydraulic pack-off element provides complete live well control during installation and retrieval of coiled tubing.
- Side outlet provides large flow area for casing annular production.
- Compact design for minimal wellhead height.

**2590S Union Wellhead Assembly**

ITEM	QTY.	DESCRIPTION
1	2	Needle Valve
2	1	Bushing
3	1	Forged Tee
4	3	Ball Valve - Regular Port
5	4	Nipple
6	1	Ball Valve - Full Port
7	1	Nipple
8	1	Select 2590S Hanger
9	1	Hydraulic Annular Control Valve
10	1	Needle Valve
11	1	Gate Valve