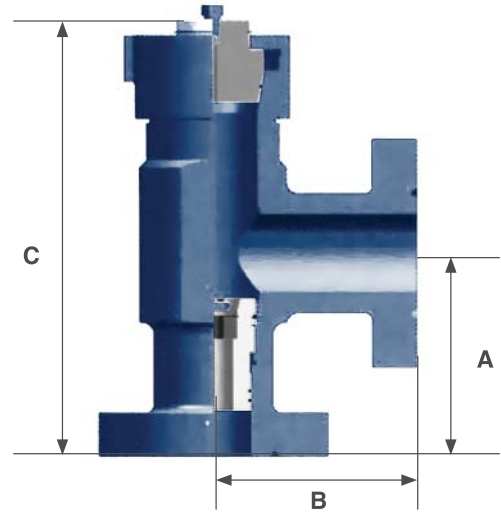


## Chokes

Positive production chokes are designed for reliable flow control and maximum wear life. They are available in flanged or threaded ends in standard bore sizes from 1 13/16" and 3 1/16", in working pressures of 5,000 psi and 10,000 psi.

Adjustable bonnets available upon request.  
Additional sizes available upon request.



Configuration	Inlet Size	PSI	Outlet Size	PSI	A	B	C
WPC	2 1/16"	5,000	2 1/8"	5,000	9.38"	7.50"	13.88"
WPC	1 13/16"	10,000	1 1/4"	10,000	9.19"	7.50"	14.12"

## Flanges

Select offers a wide range of companion flanges. Standard offering is 1 13/16" thru 2 7/16" in working pressures of 5,000 and 10,000 psi. Some sizes available in 410 stainless steel. Additional sizes available upon request. Additional types (blind and weld neck) of flanges available upon request.



Flange Size	PSI	Connection
1 13/16"	10,000	2" LP
1 13/16"	10,000	2 3/8" EUE 8rd
2 1/16"	5,000	2" LP
2 1/16"	5,000	2 3/8" EUE 8rd
2 9/16"	5,000	2 7/8" EUE 8rd
2 9/16"	5,000	2 1/2" LP