

# DIMPLE CONNECTOR ASSEMBLY TOOL

Company

Services

CT Completions

CT Surface

CT Sub-Surface

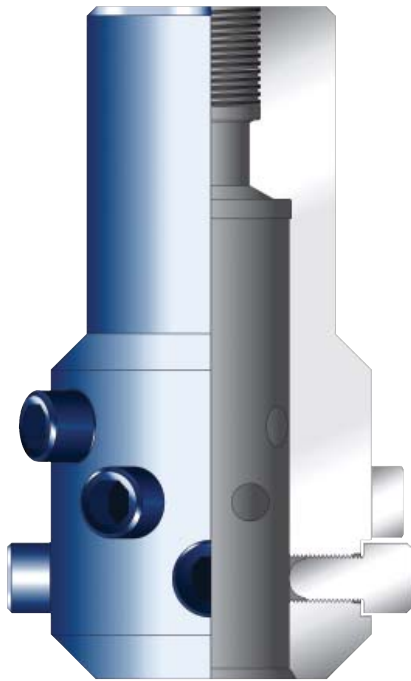
CT Service Tools

Wellheads

Slickline

Engineering Data

Index



## Description

The Dimple Connector Assembly Tool is used to prepare the coiled tubing before the Dimple Connector or Dimple-Grapple Connector is installed onto the coiled tubing. The heavy-duty design uses large-socket head cap screws with rounded heads to indent the coiled tubing. The tool is pushed onto the end of the coiled tubing, and by turning the socket head cap screws, twelve individual indentations are left on the exterior of the coiled tubing. When the Assembly Tool is removed, the Dimple Connector or Dimple-Grapple Connector can be installed onto the coiled tubing.

## Applications

- Coiled tubing preparation for Dimple Connectors or Dimple-Grapple Connectors.

## Features & Benefits

- Heavy-duty design.
- Socket head cap screws have rounded ends for proper indentations.
- Through-bore to accept wireline.
- Easy field service.

## Specifications

Coiled Tubing Sizes (in. / mm)	
1.25	(31.75)
1.5	(38.10)
1.75	(44.45)
2	(50.80)
2.375	(60.32)
2.625	(66.69)
2.875	(73.02)
3.5	(88.9)