

Description

FC gate valves feature a non-rising stem with a slab gate, floating seat ring body bushing design to provide safe dependable service. It is available in flanged ends in standard bore sizes from 1 $\frac{13}{16}$ " thru 7 $\frac{1}{16}$ " in working pressures of 5,000 psi and 15,000 psi.

Full-Bore Thru-Conduit Design

- Maximizes valve service life.
- Eliminates the collection of destructive particles.

Floating Slab Gate and Seats

- Produces a positive pressure energized seal.
- Body pressure equalizes across the seat ring/body bushing, eliminating body erosion in the seat pockets.

Metal-to-Metal Seals

- Body/bonnet interface, gate/seat ring/body bushing interfaces, body/body bushing interface.

In-line Repairability

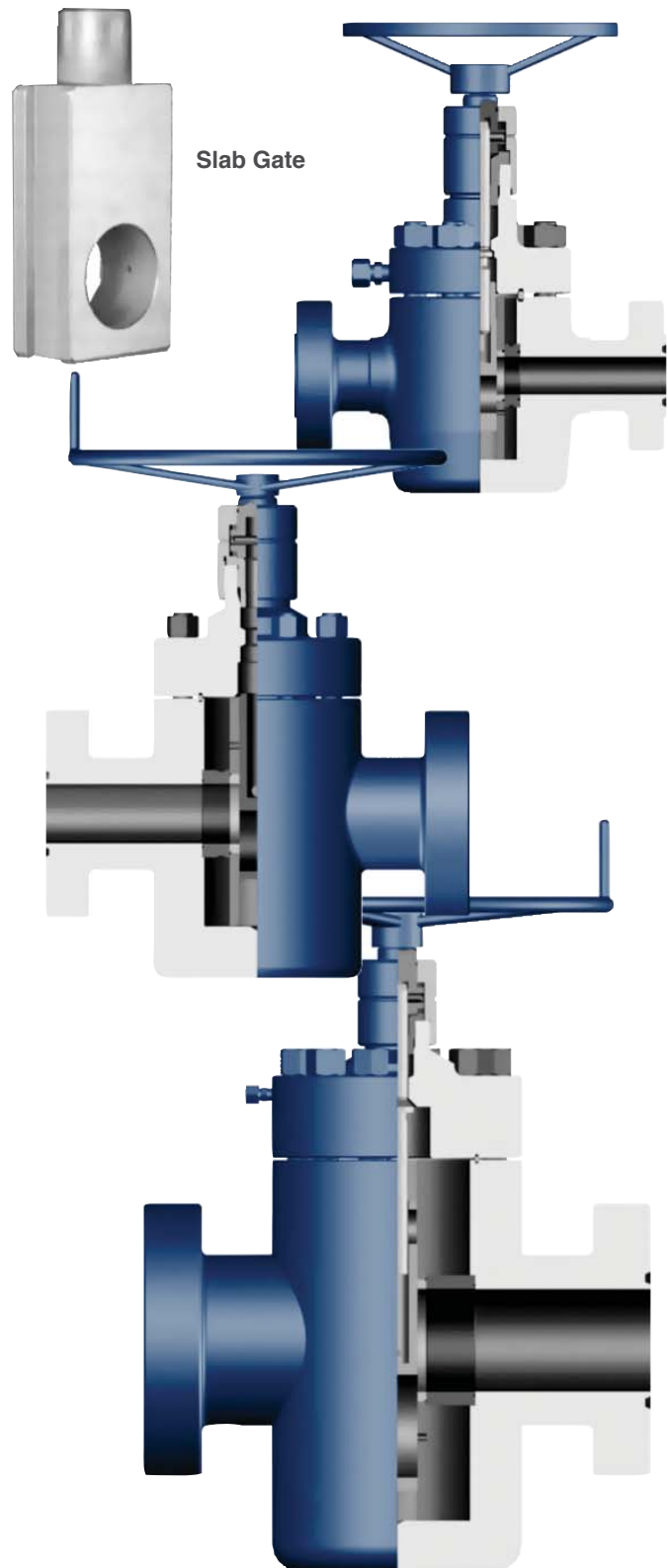
- Seat rings, body bushings, gate, and stem are easily replaced in the field.

Metal-to-Metal Backseat

- Allows for body pressure containment in the case of stem packing leak.

Long Life, Low Maintenance

- Simple routine maintenance program limits repairs, eases operation, protects against corrosion, and extends service life.

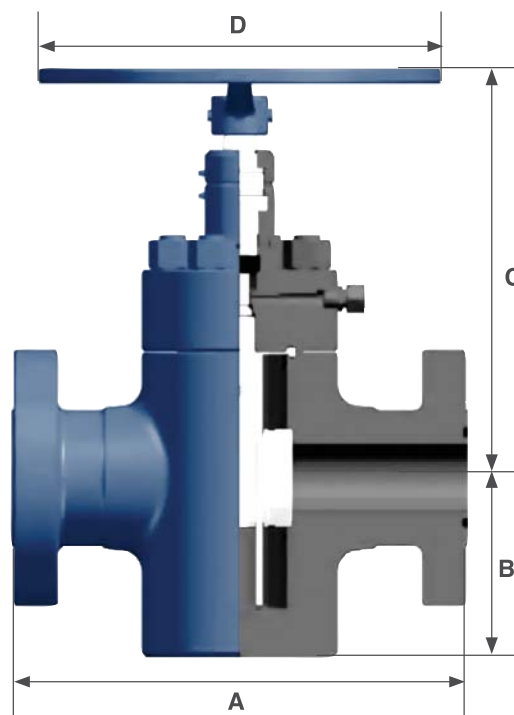


5,000 psi

Flange Size	A	B	C	D	Approximate Weight (lbs)
2 1/16"	14.62"	5.62"	21.00"	14"	180
2 9/16"	16.62"	6.50"	21.81"	14"	255
3 1/8"	18.62"	7.38"	22.69"	18"	360
4 1/16"	21.62"	9.12"	24.31"	18"	545
7 1/16"	29.00"	12.75"	28.62"	24"	1090

10,000 psi

Flange Size	A	B	C	D	Approximate Weight (lbs)
1 13/16"	18.25"	5.75"	21.00"	14"	270
2 1/16"	20.50"	5.88"	21.00"	14"	275
2 9/16"	22.25"	6.81"	21.69"	18"	485
3 1/16"	24.38"	8.06"	22.75"	18"	680
4 1/16"	26.38"	10.06"	25.75"	24"	1060
7 1/16"	35.00"	16.50"	33.25"	30"	3800



Trim Chart

Service Condition	Material Class	Body	Bonnet	Gate	Seat	Stem
General Oilfield Gas, Oil	AA	Alloy	CS	4130	4130	4130
General Slightly Corrosive	BB	Alloy	Alloy	410 SS Hardfaced	410 SS Hardfaced	17-4PH
General Moderately Corrosive CO ₂	CC	410 SS	410 SS	410 SS Hardfaced	410 SS Hardfaced	17-4PH
Sour Non-Corrosive	DD	Alloy	Alloy	Alloy	Alloy	17-4PH
Sour Slightly Corrosive	EE	Alloy	Alloy	410 SS Hardfaced	410 SS Hardfaced	17-4PH
Sour Moderately Corrosive H ₂ S	FF	410 SS	410 SS	410 SS Hardfaced	410 SS Hardfaced	17-4PH

Valve trims currently available are DD, EE, and FF. Additional trims available upon request.