

Description

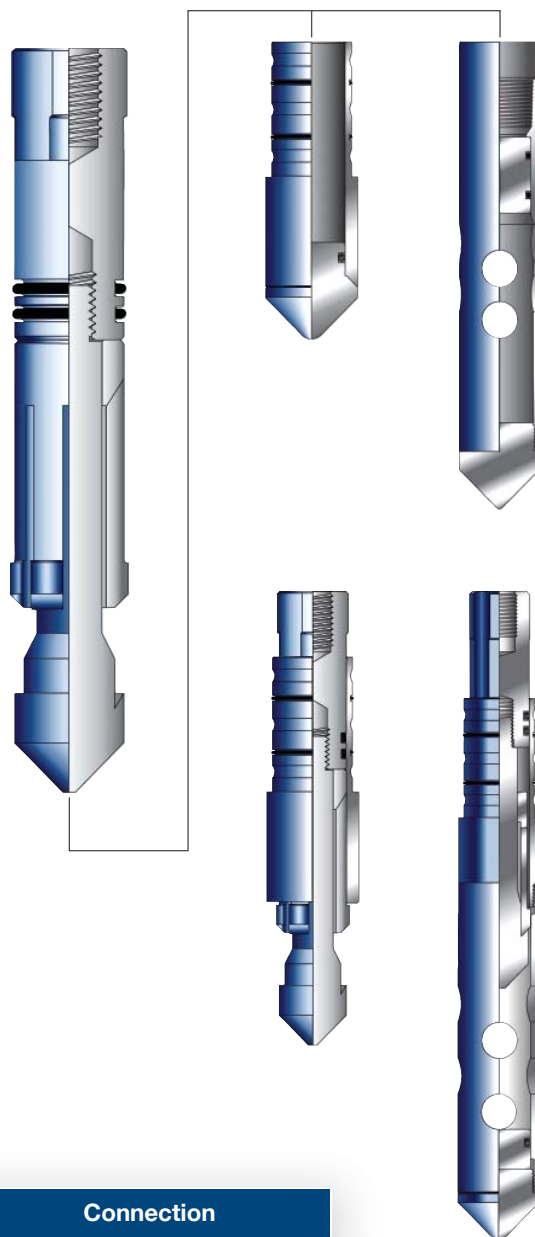
The Landing Nipple can be used with either a Pump-out Plug or Drop Dart to isolate the wellbore pressure from the ID of a coiled tubing string. On live well deployments, the Pump Off Plug is installed in the bottom of the Landing Nipple and the tubing string is pressured to blow off the plug at a predetermined value. An optional Plug Catcher can be installed with the Nipple to retain the Pump Off Plug after it is released. The Drop Dart is allowed to free-fall down the tubing and latch into the Landing Nipple to shut off the ID of the coiled tubing string during retrieval.

Applications

- Land drop dart to shut in well or to test tubing.
- Use with pump-off plugs to isolate the tubing ID during coil deployment.

Features & Benefits

- Thread-On or Roll-On designs.
- Adjustable shear settings to accommodate various well conditions.
- Flexibility to use on initial coil string deployment and tubing isolation for remedial operations.
- Manufactured from heat-treated steel alloy for durability and strength.



Specifications

Coiled Tubing Sizes (in. / mm)	Landing Nipple Profiles (in. / mm)	Connection	
		Thread	Roll-On
1 (25.40)	0.625 (15.87)	Custom Sizes Available	Matches Coiled Tubing Size
1.25 (31.75)	0.88 (22.35)		
1.5 (38.10)	1.050 (26.67)		
1.75 (44.45)	1.268 (32.20)		
2 (50.80)	1.40 (35.56)		
2.375 (60.32)	1.750 (44.45)		
2.875 (73.02)	2.050 (52.07)		