

## Description

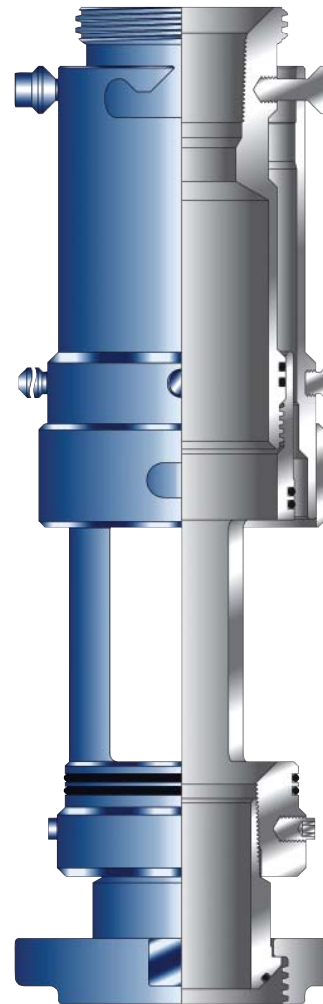
The Lantern Style, J-Slot Work Window is a service tool used on the wellhead during shallow well, coiled tubing completions. This tool provides an access point where the coiled tubing can be exposed to install landing equipment without disconnecting coiled tubing service equipment. Use of this tool eliminates the danger of having heavy service equipment suspended over workers at the wellhead and ensures safe coiled tubing hang-off operations. It also reduces the risk of damaging the coiled tubing or interfering with operations by eliminating the need to work the injector up the coiled tubing.

## Applications

- Allows access to the coiled tubing without disconnecting the coil unit injector from the wellhead.

## Features & Benefits

- Ensures safe coiled tubing hang-off procedures.
- Low profile to minimize stack height.
- Lightweight and easy-to-handle.
- Extra heavy threads to support load of service equipment and string weight.
- Heat-treated thread components for longevity of wear surfaces.
- Quick release open/close J-Slot mechanism.
- Access windows are located 120° apart.
- Provides a safe work environment in the event of coil unit hoisting equipment failure.



## Specifications

Openings (in. / mm)	Working Area (in. / mm)	Connection		Overall Height (in. / mm)	PSI (MPa)
		Top (in. / mm)	Bottom (in. / mm)		
3 x 7 (76.20 x 177.80)	4 (101.60)	4.5 (114.3) Female Fig. 206	4.5 (114.3) Fig. 206	25 (635.00)	2000 (14)
4 x 7 (101.60 x 7.80)		3.5 (88.9) EUE Box-Up Male Sub			