

Description

M gate valves feature a non-rising stem with an expanding gate design to provide safe, dependable service in a variety of environments. It is available in flanged or threaded ends in standard bore sizes from 2 1/16" thru 4 1/16" in working pressures of 3,000 psi thru 5,000 psi.

M gate valves come in 7 1/16" with working pressures of 3,000 psi thru 5,000 psi. Gate valves with different working pressure specifications available upon request.

Full-Bore Thru-Conduit Design

- Maximizes valve service life.
- Eliminates the collection of destructive particles.

Expanding Gate

- Produces a positive mechanical seal across the seats.
- Isolates the body cavity from bore pressure in both the open and closed position.

Press Fit Seats

- Press fit seats allow the seats to be tightly wedged into the seat pockets in the open or closed position.

Metal-to-Metal Seals

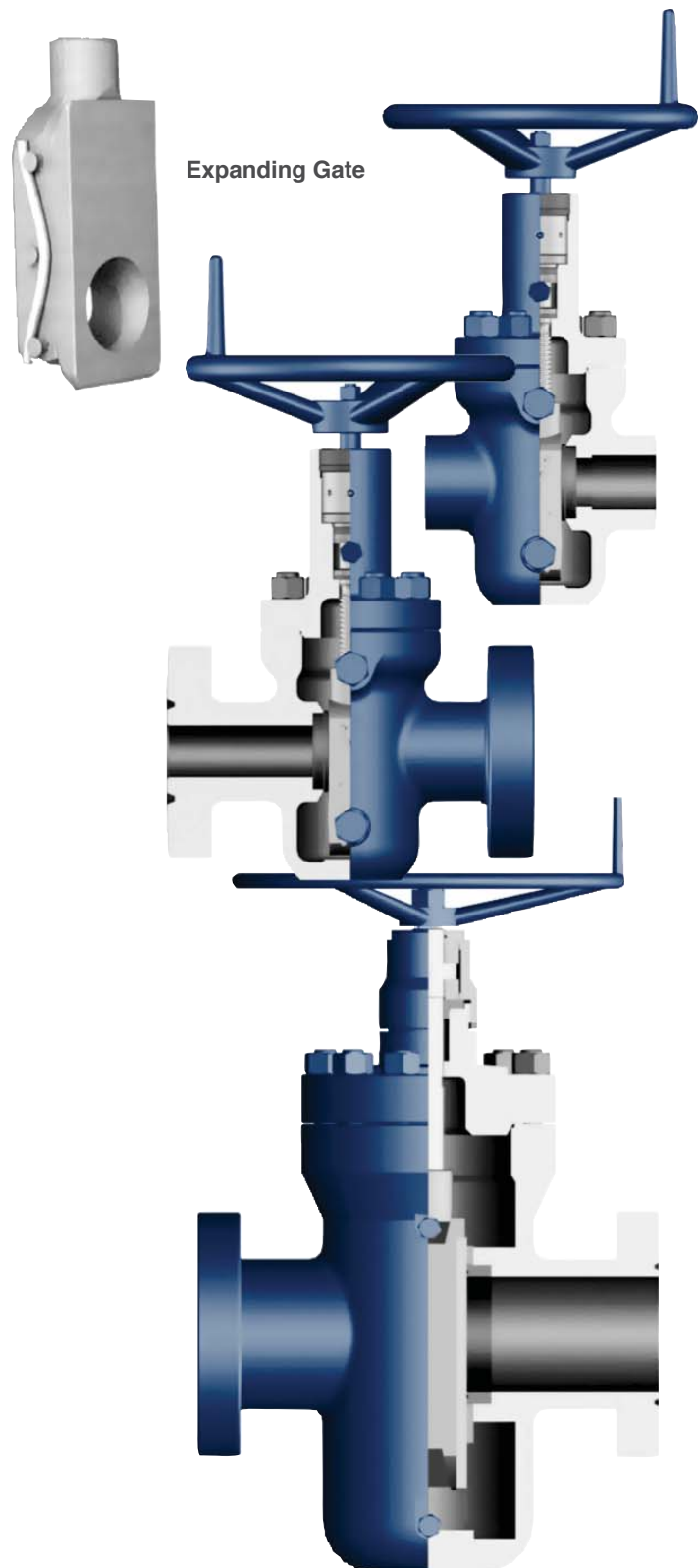
- Body/bonnet interface, and gate/seat interface.

In-line Repairability

- Stem packing is re-energized while the valve is under pressure.

Long Life, Low Maintenance

- Simple routine maintenance program limits repairs, eases operation, protects against corrosion, and extends service life.



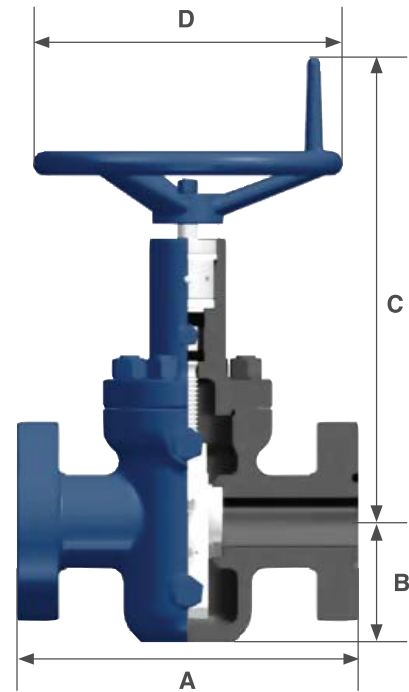
3,000 psi

Flange Size	A	B	C	D	Approximate Weight (lbs)
3 1/8"	17.12"	7.31"	22.75"	16"	300
4 1/16"	20.12"	9.12"	25.88"	16"	558

5,000 psi

Flange Size	A	B	C	D	Approximate Weight (lbs)
2 1/16"	14.62"	5.25"	19.62"	13"	176
2 9/16"	16.62"	6.12"	20.62"	13"	224
3 1/8"	18.62"	7.62"	22.75"	16"	334
4 1/16"	21.62"	9.44"	25.88"	16"	614

Above tables reflect Select's current offering. Additional sizes available upon request.



Trim Chart

Service Condition	Material Class	Body	Bonnet	Gate	Seat	Stem
General Oilfield Gas, Oil	AA	Alloy	CS	4130	4130	4130
General Slightly Corrosive	BB	Alloy	Alloy	410 SS Hardfaced	410 SS Hardfaced	17-4PH
General Moderately Corrosive CO ₂	CC	410 SS	410 SS	410 SS Hardfaced	410 SS Hardfaced	17-4PH
Sour Non-Corrosive	DD	Alloy	Alloy	Alloy	Alloy	17-4PH
Sour Slightly Corrosive	EE	Alloy	Alloy	410 SS Hardfaced	410 SS Hardfaced	17-4PH
Sour Moderately Corrosive H ₂ S	FF	410 SS	410 SS	410 SS Hardfaced	410 SS Hardfaced	17-4PH

Valve trims currently available are DD, EE, and FF. Additional trims available upon request.