

# MODEL 2590R THREADED HANGER

## Description

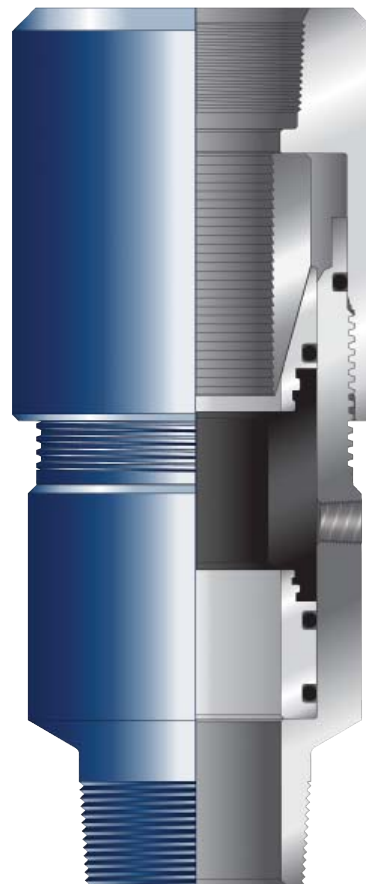
The 2590R Threaded Hanger has set the standard for reliability and economy for coiled tubing completions. The 2590R is a compact hanger used as a strip-thru style with the added feature of a hydraulic pack-off.

## Applications

- A heavy-duty hanger provides support for coiled tubing equipment running larger tubing sizes.

## Features & Benefits

- Three-piece slip set manufactured of high strength case hardened steel.
- Robust designed body and cap.
- Top cap creates lock-down on the slips and enhances compression seal with the packing element on the tubing.
- Steel alloy retaining ring keeps packing element in place during coiled tubing string retrieval.
- Packing element bonded to steel carrier rings with double O-ring on packing element for added safety.
- Interchangeable packing elements and slip sets allow change in tubing size without changing hanger body.
- Side ports up to 1" NPT.



## Specifications

Coiled Tubing Sizes (in. / mm)	Configuration (in. / mm)	Side Outlet (in. / mm)	PSI (MPa)
0.25 - 1.75 (6.35 - 44.45)	2 (50.8) NPT Pin	-	3000 (21)
	2 (50.8) NPT Box		
	2.375 (60.32) EUE Pin	1 (25.4) NPT Optional	
	2.875 (73.02) EUE Pin		