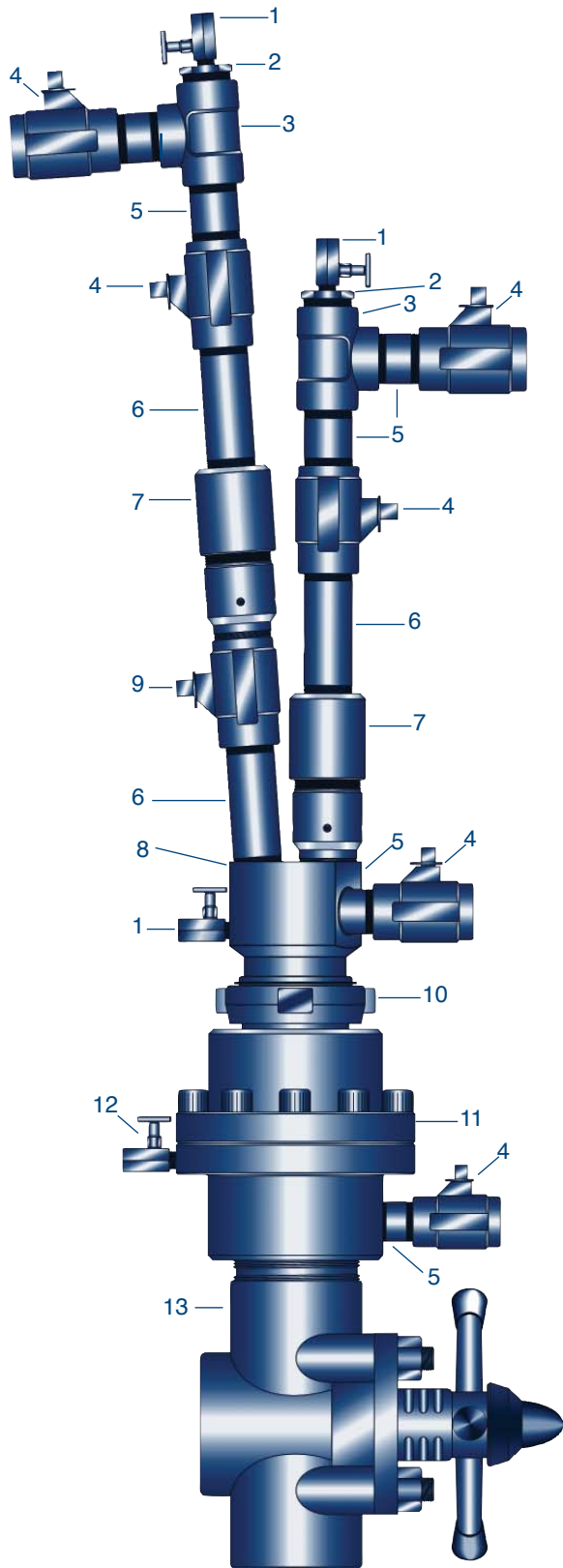


Company
Services
CT Completions
CT Surface
CT Sub-Surface
CT Service Tools
Wellheads
Slickline
Engineering Data
Index



Short Base Dual Wellhead

The Short Base Dual Wellhead provides a means for hanging two coiled tubing strings in a well and provides maximum safety and versatility at a low installed height. When used in conjunction with a hydraulic annular control valve, downhole equipment larger than the diameter of the coiled tubing can be installed or retrieved.

Features & Benefits

- Compact design for minimal wellhead height.
- Annular side outlet provides large flow area for casing annular production.
- Minimal hanger offset allows running of wireline tools.
- Hydraulic pack-off element provides complete live well control during installation and retrieval of coiled tubing.

Short Base Dual Wellhead Assembly		
ITEM	QTY.	DESCRIPTION
1	3	Needle Valve
2	2	Bushing
3	2	Forged Tee
4	4	Ball Valve - Regular Port
5	6	Nipple
6	3	Nipple
7	2	2590R Coiled Tubing Hanger
8	1	Short Base Dual Hanger
9	1	Ball Valve - Full Port
10	1	Fig 206 Male Sub & Nut Union
11	1	Hydraulic Annular Control Valve
12	1	Needle Valve
13	1	Gate Valve