

### Standard

C22-BG with BG bottom and studded side outlets.  
Also available with line pipe outlets.



### Optional

C22-BP has lock screws to hold the wear bushing in place.

## Description

WC-22 casing spools feature a versatile straight bore design that can accept a wide variety of slip and mandrel type casing hangers.

## Features

- Features a 45° landing shoulder capable of supporting maximum casing loads.
- Prevents test plugs from wedging under pressure.

## Outlets

- Line pipe outlets.
- Studded side outlets.

## Casing Hanger Compatibility

- WC-21 and WC-22 slip-type casing hangers.
- Mandrel style casing hangers.

## Manufacturing Standard

- API-6A, PSL-1, DD, L-U, PR-1.

## Availability

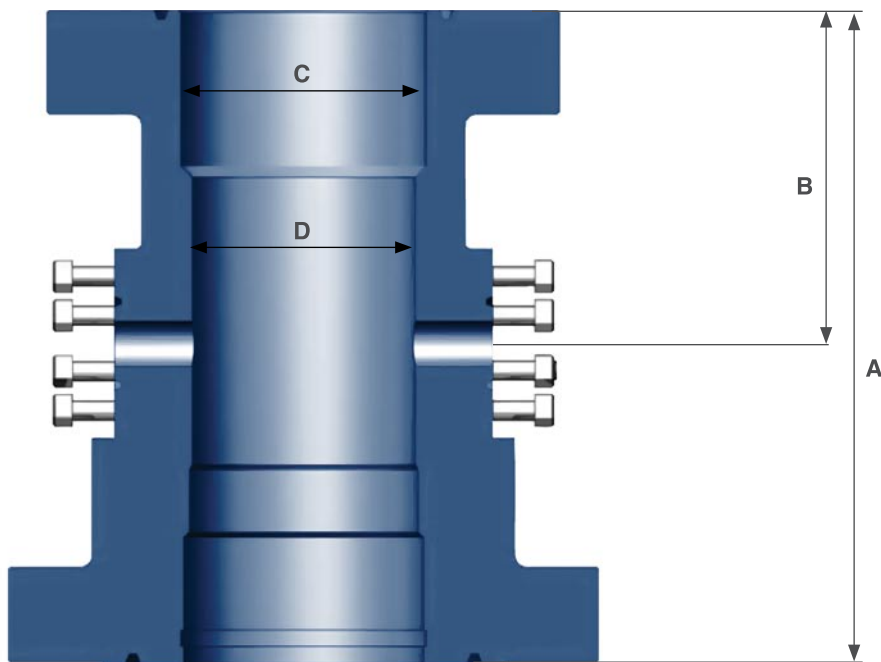
- Additional sizes available upon request.
- Available in WC-29 profile. (Available upon request)

## Lockscrews

- WC-22-BP casing spools are supplied with two lockscrews for wear bushing retention.
- WC-22-L and WC-29-L casing spools are supplied with a full set of lockscrews for mandrel casing hanger and pack-off retention. (Available upon request)

## Bottom Preparations

- PE/BG bottom, for use with PE secondary seal bushing (Standard).
- HPE bottom, for use with HPE secondary seal bushing for high-pressure applications. (Available upon request)



**A = Overall height**  
**B = Distance from flange face to center line of outlet**  
**C = Bowl diameter**  
**D = Minimum bore**

## Specifications

Bottom Flange Size	PSI	Top Flanged Size	PSI	Outlet	A	B	C	D	Approximate Weight (lbs)
11"	3,000	11"	3,000	2 1/16" Stdd	20 5/8"	10 1/4"	10 7/8"	10"	755
11"	3,000	11"	5,000	2 1/16" Stdd	22 1/4"	12 3/4"	10 7/8"	10"	835
11"	5,000	11"	5,000	2 1/16" Stdd	23 7/8"	12 3/4"	10 7/8"	10"	910
11"	5,000	11"	10,000	1 13/16" Stdd	24 3/4"	13 5/8"	10 7/8"	10"	1210
11"	10,000	11"	10,000	1 13/16" Stdd	25 5/8"	14 1/2"	10 7/8"	10"	1410
13 5/8"	3,000	11"	3,000	2" LP	22 5/8"	10 1/4"	10 7/8"	10"	680
13 5/8"	3,000	11"	3,000	2 1/16" Stdd	22 5/8"	10 1/4"	10 7/8"	10"	799
13 5/8"	3,000	11"	5,000	2" LP	22 1/4"	12 3/4"	10 7/8"	10"	1140
13 5/8"	3,000	11"	5,000	2 1/16" Stdd	25 1/4"	12 3/4"	10 7/8"	10"	1168
13 5/8"	5,000	11"	5,000	2 1/16" Stdd	25 1/8"	12 3/4"	10 7/8"	10"	1430
13 5/8"	5,000	11"	10,000	1 13/16" Stdd	26"	13 1/2"	10 7/8"	10"	1631