

## Description

WTCM tubing spools feature a versatile straight bore design for single and multiple completions. This design accepts all WTC series tubing hangers and easily converts from a single completion to multiple completion with the addition of alignment pin or pins.

## Available Sizes

- Available with 7 1/16" nominal bowl compatible with 7 5/8" production casing.

## Straight-Bore Design

- Features a 45° landing shoulder capable of supporting maximum loads.

## Outlets

- Line pipe outlets.
- Studded side outlets.

## Manufacturing Standard

- API-6A, PSL-1, DD, L-U, PR-1 (3M-5M).
- API-6A, PSL-2, DD, L-U, PR-1 (10M).

## Tubing Hanger Compatibility

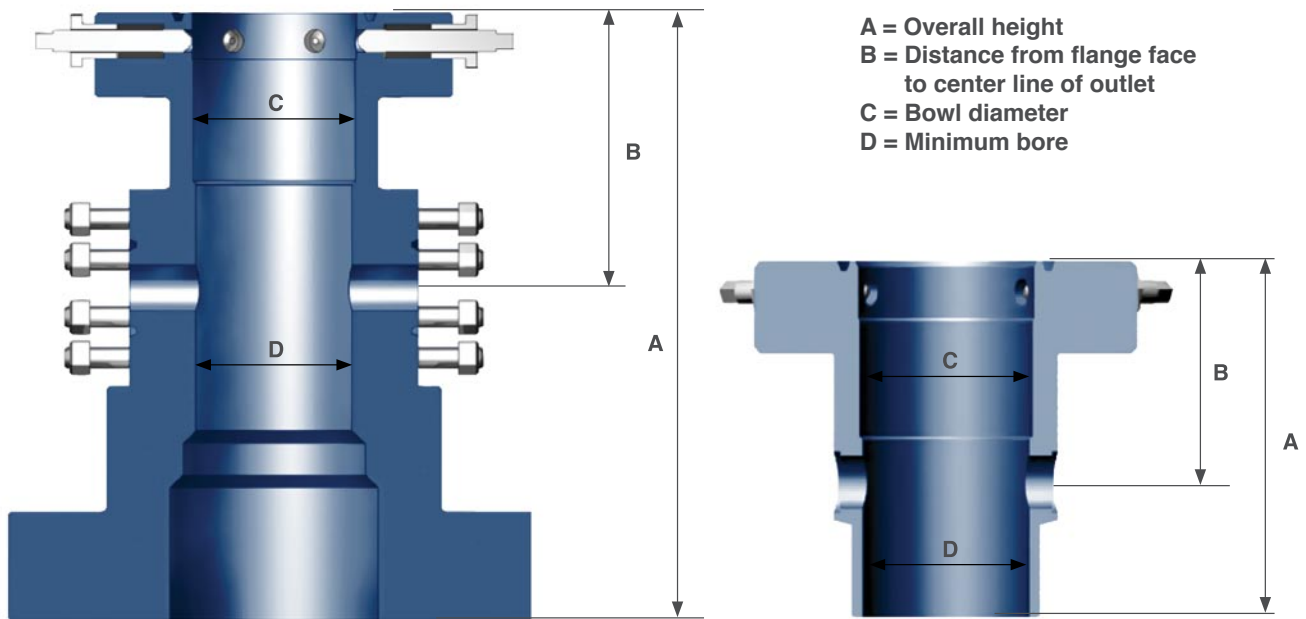
- WTCM tubing spools accept a wide variety of tubing hanger styles including mandrel and wraparound.

## Bottom Preparations

- PE/BG bottom, for use with PE secondary seal bushing (Standard).
- HPE bottom, for use with HPE secondary seal bushing for high-pressure applications. (Available upon request)

## Availability

- Additional sizes available upon request.
- Available with ET (Integral) style lockscrews.
- Flanged top Tubing Heads available with slip-on weld or threaded bottoms.



## Specifications

Bottom Flange Size	PSI	Top Flanged Size	PSI	Outlet	A	B	C	D	Approximate Weight (lbs)
11"	2,000	7 1/16"	2,000	2" LP	16 3/4"	9 7/16"	7"	6 3/8"	440
11"	3,000	7 1/16"	3,000	2 1/16" Stdd	17"	9 3/4"	7"	6 3/8"	605
11"	3,000	7 1/16"	5,000	2 1/16" Stdd	17"	10 7/8"	7"	6 13/16"	675
11"	5,000	7 1/16"	5,000	2 1/16" Stdd	19"	10 7/8"	7"	6 13/16"	880
11"	5,000	7 1/16"	10,000	1 13/16" Stdd	19"	10 3/4"	7"	6 13/16"	1170
11"	10,000	7 1/16"	10,000	1 13/16" Stdd	24 1/4"	11"	7"	6 13/16"	1425
11"	10,000	7 1/16"	15,000	1 13/16" Stdd	26 1/2"	12 1/8"	7"	6 13/16"	1710

Casing Size	Top Flange Size	PSI	Outlet	A	B	C	D	Approximate Weight (lbs)
4 1/2"	7 1/16"	2,000	2" LP	14"	7"	7"	6 3/8"	253
5 1/2"	7 1/16"	2,000	2" LP	14"	7"	7"	6 3/8"	243
7"	7 1/16"	2,000	2" LP	14"	7"	7"	6 3/8"	233
4 1/2"	7 1/16"	3,000	2" LP	14"	7"	7"	6 3/8"	275
5 1/2"	7 1/16"	3,000	2" LP	14"	7"	7"	6 3/8"	264
7"	7 1/16"	3,000	2" LP	14"	7"	7"	6 3/8"	254
4 1/2"	7 1/16"	5,000	2" LP	14 1/2"	9"	7"	6 3/8"	325
5 1/2"	7 1/16"	5,000	2" LP	14 1/2"	9"	7"	6 3/8"	305
7"	7 1/16"	5,000	2" LP	14 1/2"	9"	7"	6 3/8"	295

Additional sizes available upon request. Now available with Integral Lockscrews