

# OBSERVATION WELLHEAD

Company

Services

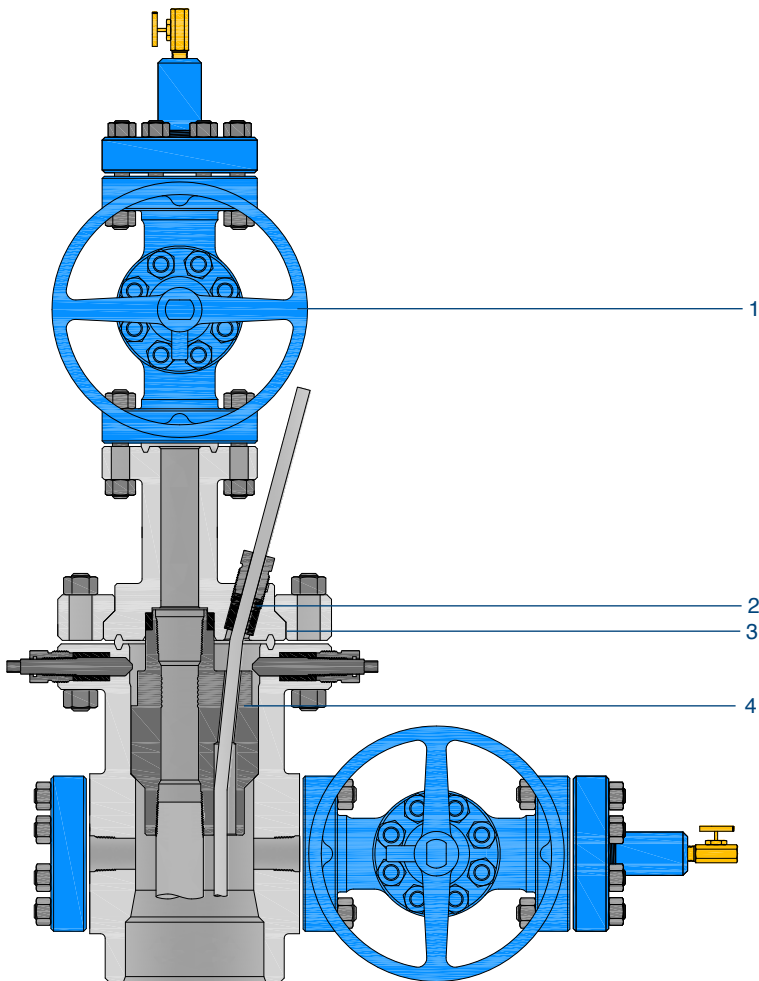
Wellheads

CT Completions

CT Surface

Sub-Surface

Service Tools



## Description

Observation Wellheads installations have always been a part of most standard pads. The ability to monitor the well is critical while producing.

## Features & Benefits

- Reservoir monitoring
- Built in any configuration require
- Pressure rating of 2000 PSI

SURFACE EQUIPMENT		
ITEM	QTY.	DESCRIPTION
1	1	Tubing Master Valve
2	1	Geophone Cable Pack-Off
3	1	2 Piece Tubing Head Adapter, c/w Extended Neck Prep
4	1	Tubing Hanger, c/w Geophone Access